



[Custom
Molded
Rubber](#)



[Custom
Colors!!](#)

[Home](#)

[About PacTec](#)

[Contact Us](#)

Login

[Click Here to Register](#)

Username

Password

[Forget your login info?](#)

[View Cart \(0\)](#)
[Advanced Search](#)
[Connector Search](#)

News

Sign up for our latest news and new product updates!

Email:



[Custom Colors!!](#)



[Free Samples of
New Products Available!](#)



RCS-24-9VB_2AA

External Dimensions: 4.6 x 2.5 x 0.9 in.

PCB Dimensions: 4.1 x 2 x 0.9 in.

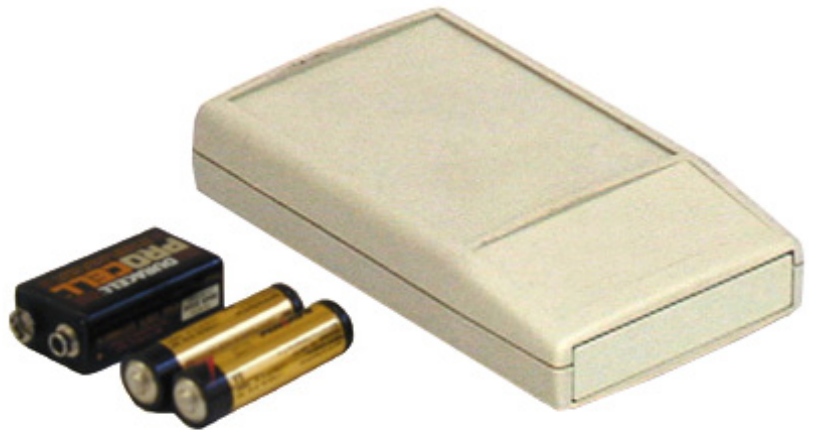
Colors: Black
PC Bone

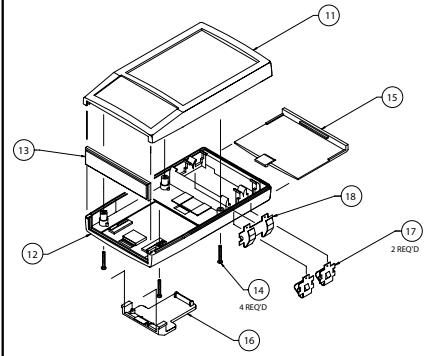
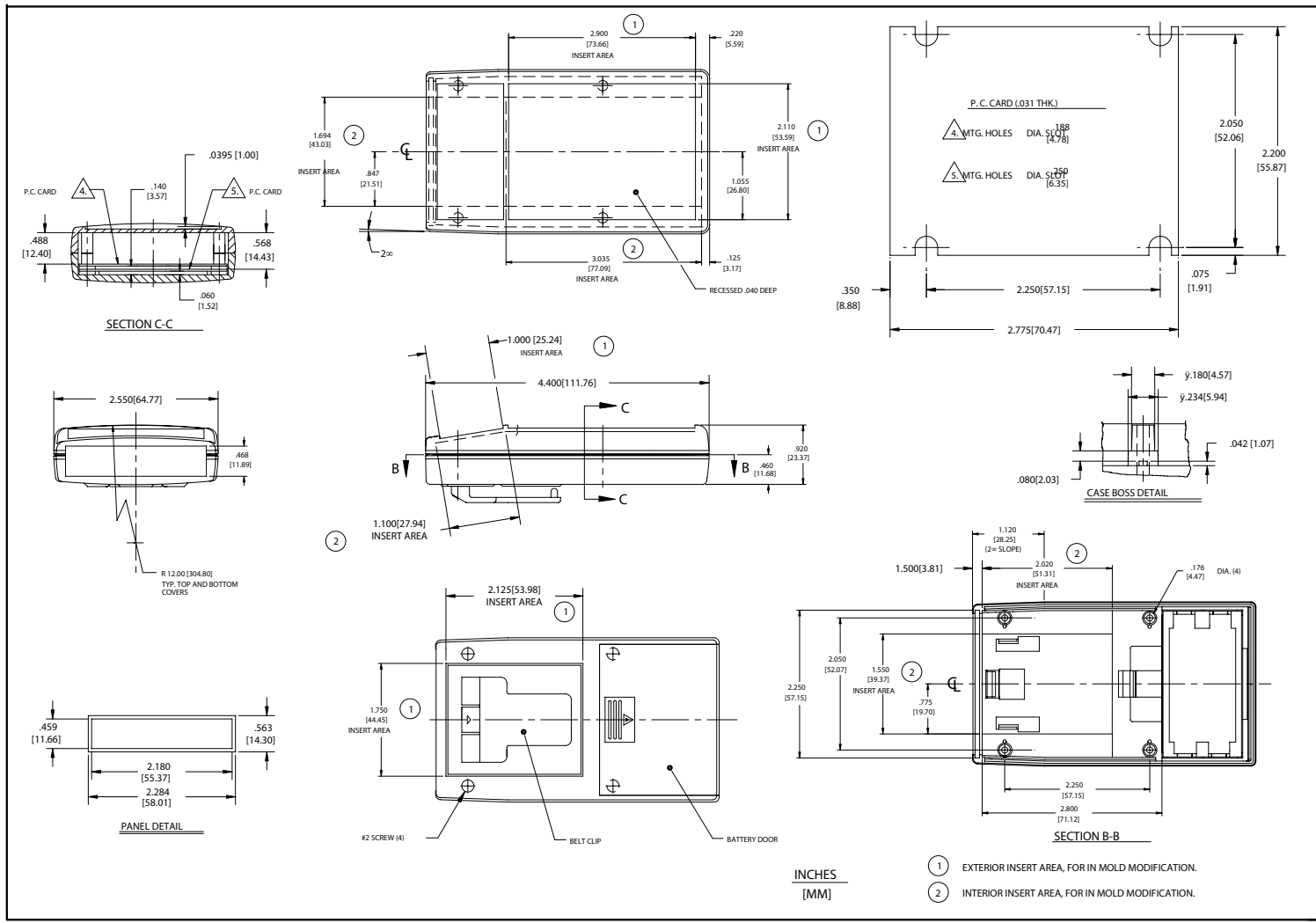
Materials: ABS-94HB
[Material Specs](#)

Components:

- Top and Bottom Covers
- Battery Clips
- Assembly Screws
- 1 Panel
- 1 Ruby Red Panel

 [Add To Cart](#)





COLOR / MATL CODE		
COLOR	94HB	94VO
BLACK	000	028
P.C.BONE	039	060

18	67256-01	BATTERY CLIP, DOUBLE
17	74702-01	BATTERY CLIP, SINGLE
16	71287-01-XXX	BELT CLIP
15	71198-01-XXX	DOOR, BATTERY
14	60228-01	SCREW
13	75240-02-XXX	PANEL
13	75240-01-XXX	PANEL (RUBY)
12	75289-01-XXX	BOTTOM COVER, W/O BC
12	73891-01-XXX	BOTTOM COVER, BC
11	74274-01-XXX	TOP COVER (.040 REC.)
ITEM	PART NUMBER	DESCRIPTION

PACITEC®

RCS24-9VB/2AA, RCS24-9VB/2AA-BC

1-610-361-4200

76062 REV. B 10/01